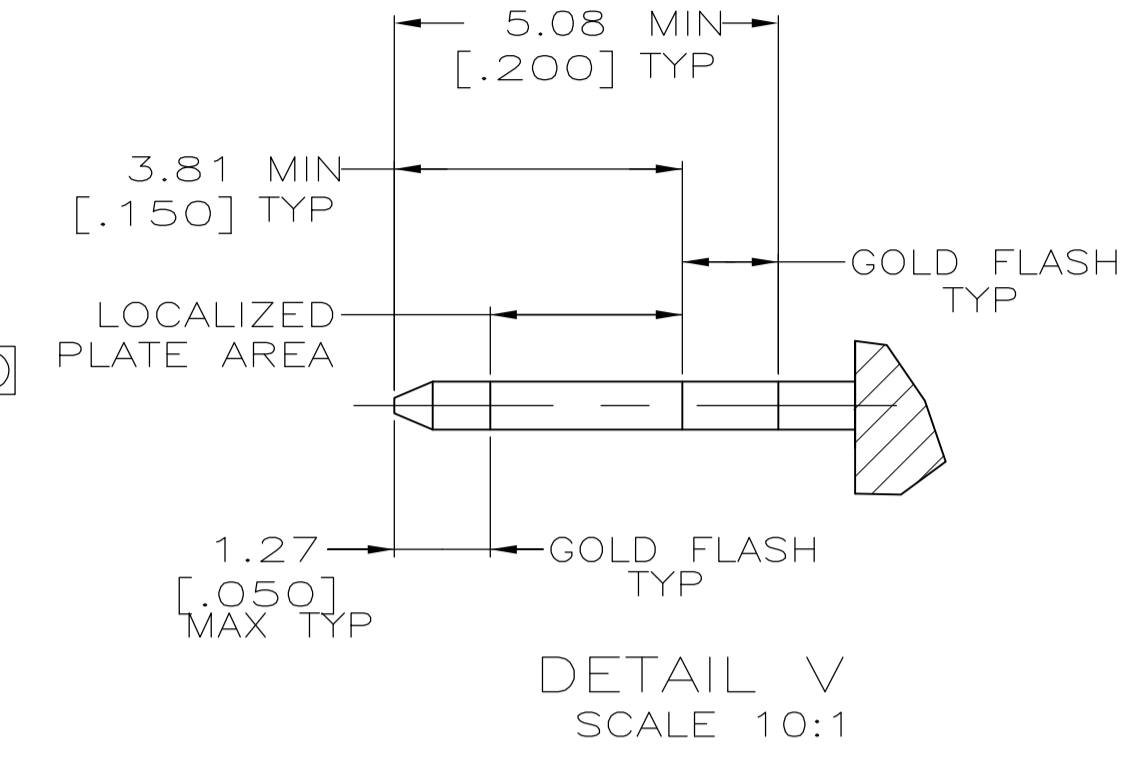
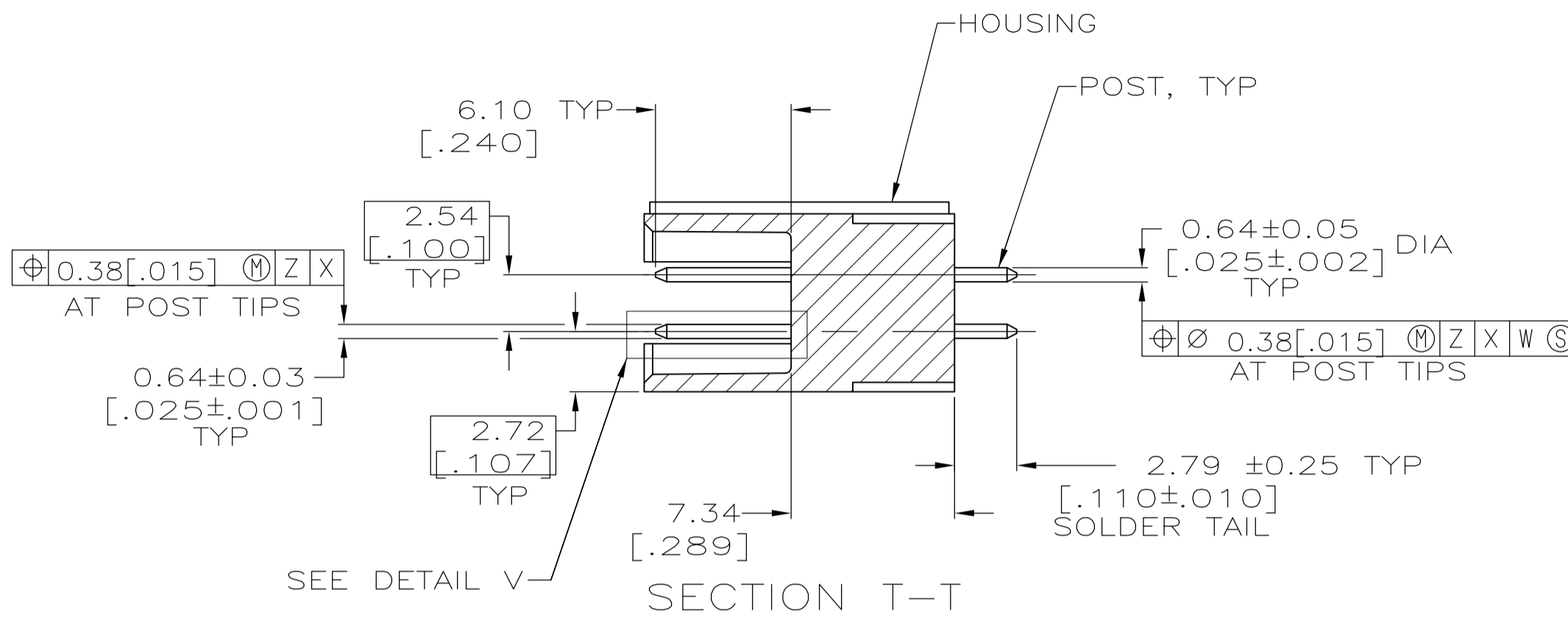
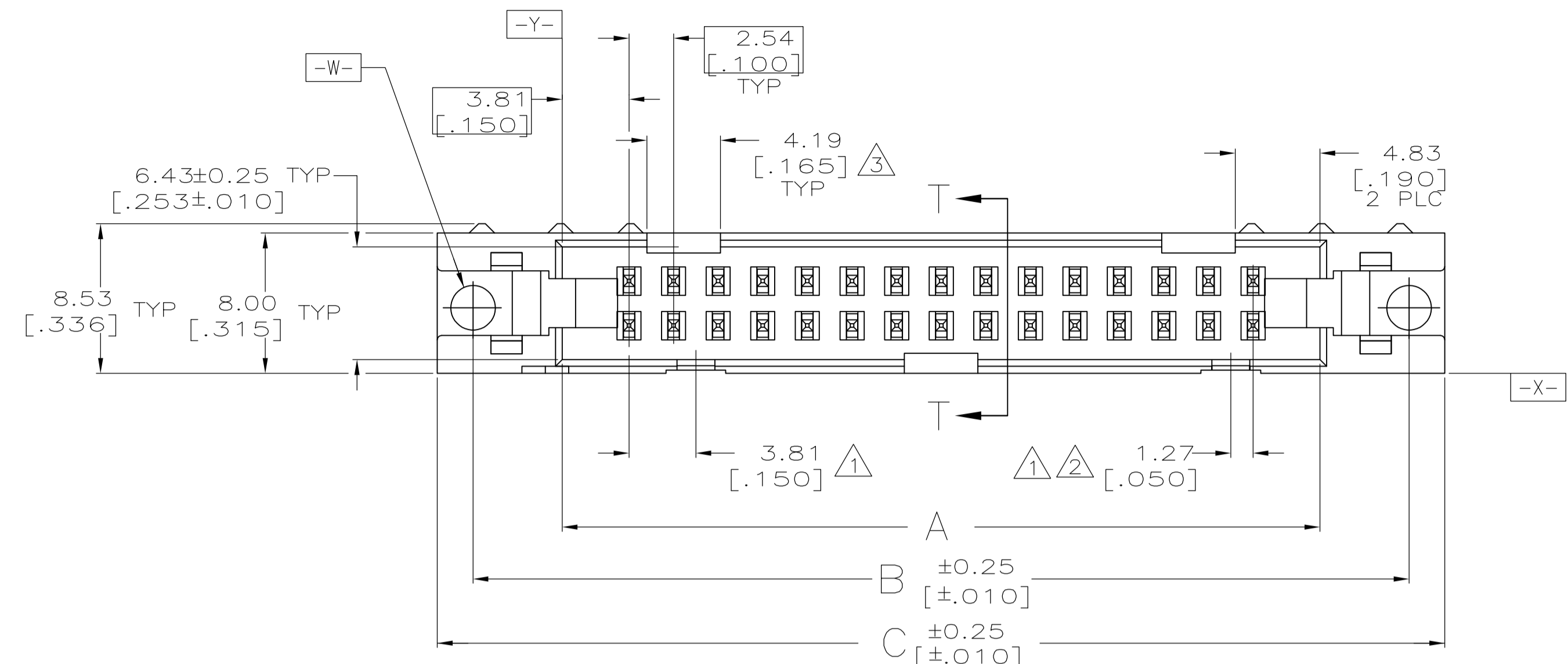
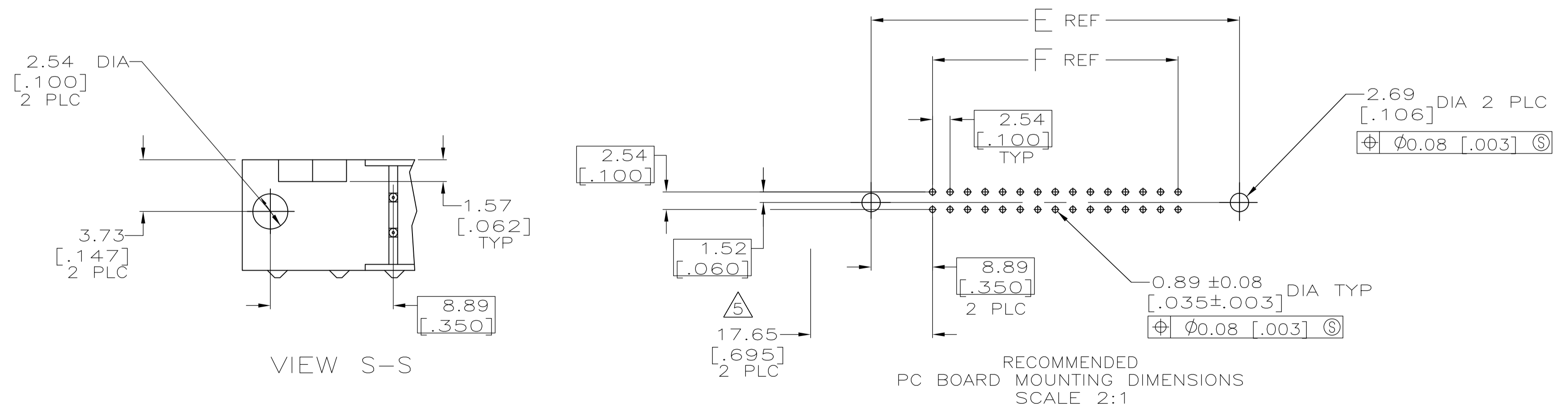
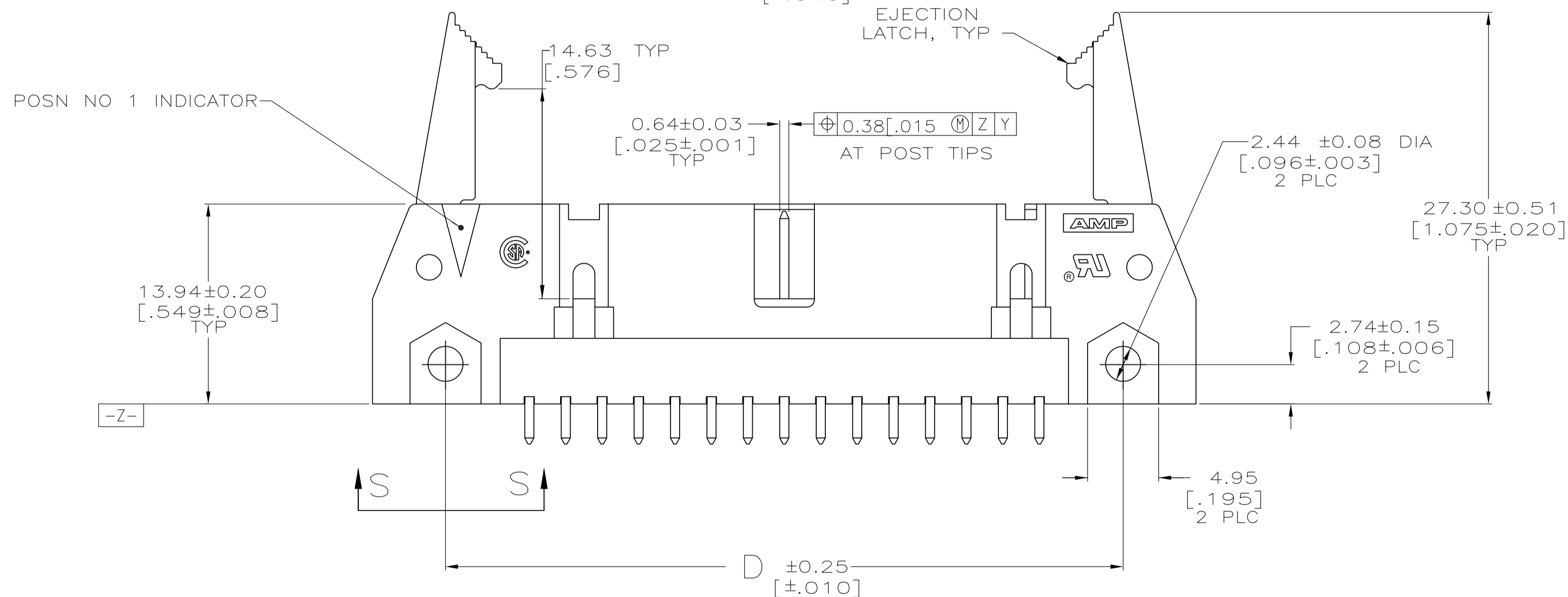


EJECTION LATCHES OMITTED IN THIS VIEW FOR CLARITY



- ① COORDINATE DIMENSION APPLIES FROM BASIC LOCATION.
- ② 10 AND 14 POSITION SIZES CONTAIN ONLY ONE SLOT FOR SNAP-IN POLARIZER (MILITARY POLARIZATION) LOCATED AS SHOWN.
- ③ 10 POSITION SIZES CONTAIN ONLY ONE SLOT FOR DUAL POLARIZATION, LOCATED AS SHOWN.
- 4. RECOMMENDED PRINTED CIRCUIT BOARD THICKNESS IS 1.57 [0.062].
- ⑤ DISTANCE REQUIRED BY EJECTION LATCHES IN THE OPEN POSITION.
- ⑥ POSTS: GOLD FLASH OVER PALLADIUM-NICKEL PLATE, 0.76µm [0.000030] MIN TOTAL ON THE LOCALIZED PLATE AREA, 2.54µm [0.000100] MIN TIN OR TIN-LEAD PLATE ON THE TAIL, 1.27µm [0.000050] MIN NICKEL UNDERPLATE ON THE ENTIRE POST.
 -OR-
 0.76µm [0.000030] MIN GOLD PLATE ON THE LOCALIZED PLATE AREA, 2.54µm [0.000100] MIN TIN OR TIN-LEAD PLATE ON THE TAIL, 1.27µm [0.000050] MIN NICKEL UNDERPLATE ON THE ENTIRE POST.



OBSOLETE	53.34	71.12	65.02	75.18	71.12	60.96		
	[2.100]	[2.800]	[2.560]	[2.960]	[2.800]	[2.400]	44	1-499206-3
	78.74	96.52	90.42	100.58	96.52	86.36		
	[3.100]	[3.800]	[3.560]	[3.960]	[3.800]	[3.400]	64	1-499206-2
	73.66	91.44	85.34	95.50	91.44	81.28		
	[2.900]	[3.600]	[3.360]	[3.760]	[3.600]	[3.200]	60	1-499206-1
	60.96	78.74	72.64	82.80	78.74	68.58		
	[2.400]	[3.100]	[2.860]	[3.260]	[3.100]	[2.700]	50	1-499206-0
	48.26	66.04	59.94	70.10	66.04	55.88		
	[1.900]	[2.600]	[2.360]	[2.760]	[2.600]	[2.200]	40	499206-9
	40.64	58.42	52.32	62.48	58.42	48.26		
	[1.600]	[2.300]	[2.060]	[2.460]	[2.300]	[1.900]	34	499206-8
	35.56	53.34	47.24	57.40	53.34	43.18		
	[1.400]	[2.100]	[1.860]	[2.260]	[2.100]	[1.700]	30	499206-7
	30.48	48.26	42.16	52.32	48.26	38.10		
	[1.200]	[1.900]	[1.660]	[2.060]	[1.900]	[1.500]	26	499206-6
	27.94	45.72	39.62	49.78	45.72	35.56		
	[1.100]	[1.800]	[1.560]	[1.960]	[1.800]	[1.400]	24	499206-5
	22.86	40.64	34.54	44.70	40.64	30.48		
	[.900]	[1.600]	[1.360]	[1.760]	[1.600]	[1.200]	20	499206-4
	17.78	35.56	29.46	39.62	35.56	25.40		
	[.700]	[1.400]	[1.160]	[1.560]	[1.400]	[1.000]	16	499206-3
	15.24	33.02	26.92	37.08	33.02	22.86		
	[.600]	[1.300]	[1.060]	[1.460]	[1.300]	[.900]	14	499206-2
	10.16	27.94	21.84	32.00	27.94	17.78		
	[.400]	[1.100]	[.860]	[1.260]	[1.100]	[.700]	10	499206-1
	F	E	D	C	B	A	NO OF POSN	PART NUMBER

THIS DRAWING IS A CONTROLLED DOCUMENT.

DIMENSIONS: mm [INCHES]	TOLERANCES UNLESS OTHERWISE SPECIFIED:	DIN H. MOLL 4-23-90	APVD S. GOOD 11-29-90	NAME
0 PLC ± -	1 PLC ± -	2 PLC ± 0.13[0.005]	3 PLC ± -	4 PLC ± -
ANGLES ± -	FINISH	APPROVED	DATE	DESCRIPTION
MATERIAL: HOUSING & LATCHES: GLASS FILLED NYLON OR POLYESTER, 40% G-RATED. POSTS: PHOS BRONZE OR BRASS	FINISH	SIZE	CAGE CODE	DRAWING NO
		WEIGHT	A1	00779
		CUSTOMER DRAWING	SCALE	4:1
			SHEET	1 of 1
			REV	H

Tyco Electronics Corporation
 Harrisburg, PA 17105-3608
 Tyco Electronics
 HEADERS ASSY, UNIVERSAL, AMP-LATCH*
 108-40018
 APPLICATION SPEC